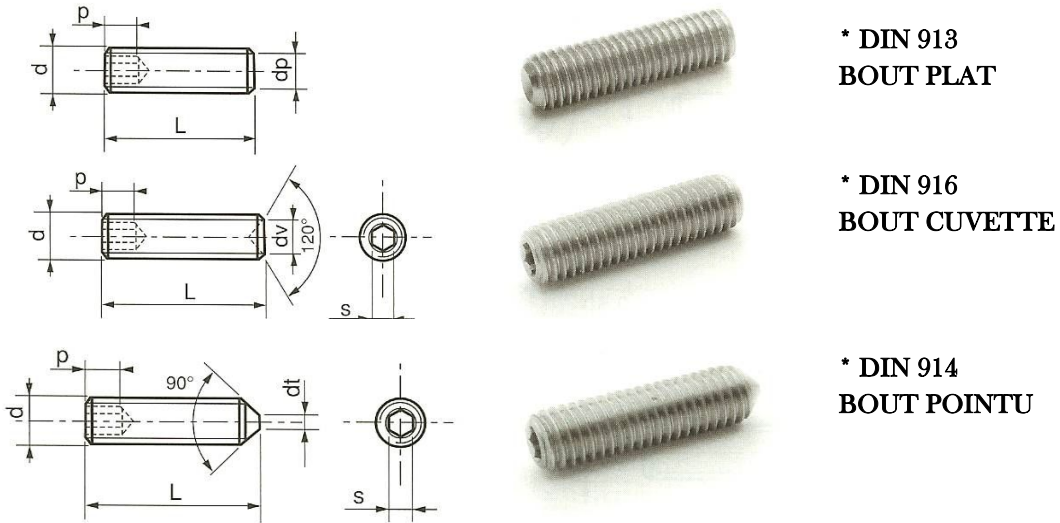


VIS SANS TETE HEXAGONALE CREUSE

BOUT PLAT - BOUT CUVETTE - BOUT POINTU

HEXAGON SOCKET SET SCREWS FLAT PIONT. CUP POINT. FLAT POINT.



* DIN 913
BOUT PLAT

* DIN 916
BOUT CUVETTE

* DIN 914
BOUT POINTU

INOX A4 - 316L

DIN 913	dp	0.75	1.75	2.25	3.2	3.7	5.2	6.64	8.14
DIN 916	dv	0.75	1.15	1.75	2.25	2.75	4.7	5.7	7.64
DIN 914	dt					0.9	1.4	1.9	2.4
	P	0,8/1,70	1,20/2	1,50/2,5	2/3	2/3,50	5	6	8
	PAS	0.4	0.5	0.7	0.8	1	1.25	1.5	1.75
	S	0.9	1.5	2	2.5	3	4	5	6

L \ d	M2	M3	M4	M5	M6	M8	M10	M12
--------------	-----------	-----------	-----------	-----------	-----------	-----------	------------	------------

3		*						
4	*	*	*					
5	*	*	*	*				
6	*	*	*	*	*			
8		*	*	*	*	*		
10		*	*	*	*	*		
12		*	*	*	*	*		
16		*	*	*	*	*	*	*
20		*	*	*	*	*	*	*
25			*	*	*	*	*	*
30			*	*	*	*	*	*
40				*	*	*	*	*
50					*	*	*	*
60						*	*	*

Prix NET HT les 100 pièces en euros